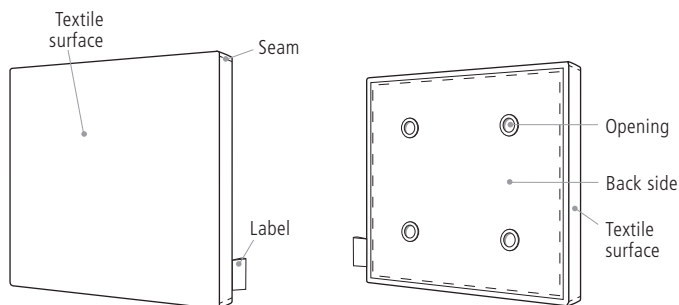


acousticpearls

facts

textile acoustic panels



Composition

The acoustic panels are made of a highly-effective, impact-resistant acoustic core with a concealed frame, four openings integrated into the back side, and hand-stitched virgin wool fabric(s) covering both the front and sides.

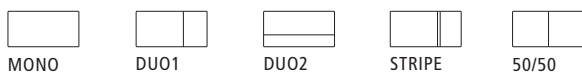
Sizes

The panels by acousticpearls are available in the following sizes:



60 x 60	59.7 x 59.7 x 4.5 cm	(3 kg)
60 x 120	59.7 x 119.7 x 4.5 cm	(6 kg)
60 x 180	59.7 x 179.7 x 4.5 cm	(9 kg)
60 x 240	59.7 x 239.7 x 4.5 cm	(12 kg)
120 x 120	119.7 x 119.7 x 4.5 cm	(12 kg)

Designs



MONO – features one color

DUO 1 – features two colors, vertically arranged in the classic ratio of 1:2

DUO 2 – features two colors, horizontally arranged in the classic ratio of 1:2

STRIPE – features two colors, broken by a vertical stripe of color 5 cm in width

DUO 1 – features two colors, vertically arranged in the classic ratio of 1:1

Fabrics

The surface of the panel is wrapped with 100% virgin wool using the Divina 3 and Divina Melange 2 fabrics by Kvadrat. There are 80 different hues available for the panels.

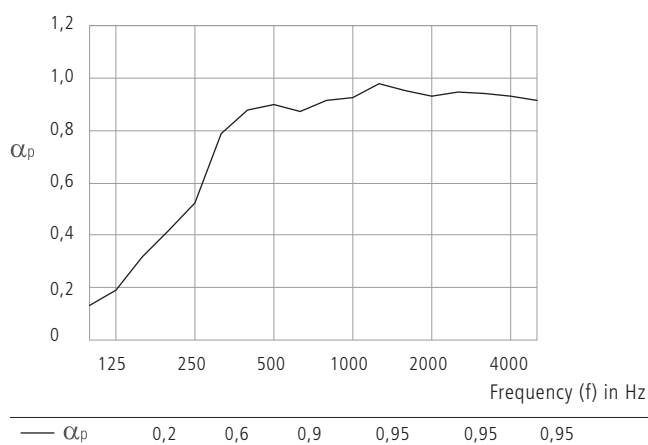
Quality and finish

All panels by acousticpearls make use of high-quality materials and are individually manufactured by hand. The fine stitching along the panel edges testify to this high quality standard.

Acoustic properties

The acoustic panels are certified as class-A broadband absorbers according to DIN ISO 354.

Alpha w (weighted sound-absorption coefficient) = 0,9



Installation options

All panels are equipped with four openings on the back. They make it possible for the panels to be installed in a variety of ways:

1. Vertically on the wall using the screw system set
2. In front of the wall using the wallstreet rail system
3. Freely in a room suspended vertically using the YOYO suspension system (always two panels back-to-back)

The openings on the backs of the panels feature a symmetrical design to provide for great flexibility when installing them (horizontally or vertically).

Fire behavior

B2 (normal combustibility)

Special features

The impact-resistant front side of the panels by acousticpearls can also be used as a pin board.